

# Call Points

## HM-MCP-GLASS

The call point is an addressable break glass manual call point which has a simple rotary decade switch at the rear of the unit for addressing.

A specialist test key may be inserted into the bottom of the unit to lower the glass and release the micro-switch and thus a full functional test is achieved.

The HM-MCP-GLASS Call Point is designed to provide a manual alarm interface to Morley IAS's fire alarm control panel.

Installation efficiency, compliance with the latest standards are at the heart of the call point range



HM-MCP-GLASS

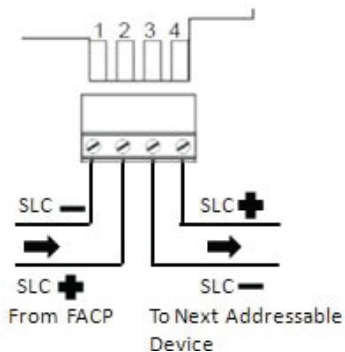
### LED Status

The LED status is controlled by fire panel and shows blinking RED each time the device is polled, or continuous RED to indicate fire.

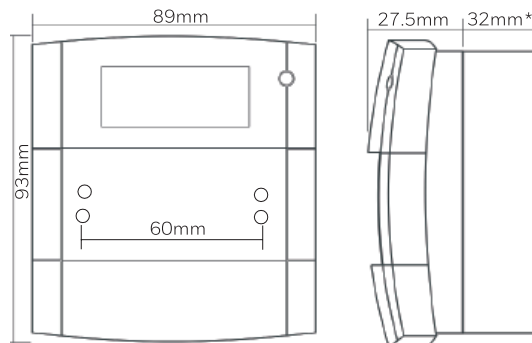
## FEATURES & BENEFITS

- Unique 'Plug & Play' installation concept
- Analogue addressable communications
- Fully compliant with EN54, Part 11
- Integral LED

### CONNECTION DETAILS



### DIMENSIONS



\* Mounting box dimension.

# HM-MCP-GLASS Specifications

MECHANICAL	
Dimensions	Semi-flush mounting: 89 x 93 x 27.5 (WxHxD) Surface mounting : 89 x 93 x 59.5 (WxHxD)
Weight	110g
IP Rating	IP24D
Operating Temperature	0°C to 49°C
Relative Humidity:	10% - 93% non-condensing

ELECTRICAL	
Operating Voltage	15V to 32Vdc max
Current Consumption	Quiescent: 385µA Alarm Current: 7.8 mA

## PART NUMBERS

MANUAL CALL POINT	PRODUCT DESCRIPTION
HM/MCP/GLASS	Addressable break glass manual call point

## OPTIONAL ACCESSORIES

PART CODE	DESCRIPTION
PS230	Pack of ten resettable elements
MUS041W	Manual call point back box
MUS156	Pack of ten glass elements
SC070	Pack of 10 test keys

### For more information, please contact

Email: [hsf.comms@honeywell.com](mailto:hsf.comms@honeywell.com)

### Partner Connect Portal:

[www.partnerconnect.honeywell.com](http://www.partnerconnect.honeywell.com)

### Honeywell Security and Fire (APAC and ASEAN)

Honeywell International Sdn Bhd  
1st Floor, Block B No. 10,  
Jalan Bersatu 13/4  
46200 Petaling Jaya  
Tel: +603 7626 5700

### Honeywell Security and Fire (India)

Honeywell Security & Fire  
Unitech Trade Centre, 5th Floor,  
Sector – 43, Block C, Sushant Lok Phase – 1,  
Gurgaon – 122002, Haryana, India  
Tel: +91 124 4975000

### Honeywell Security and Fire (Korea)

Honeywell Co Ltd (Korea)  
5th Floor, Sangam IT Tower,  
434 Worldcupbuk-ro, Mapo-gu,  
Seoul Korea  
Tel: 82-2-799-6114

### Honeywell Security & Fire (Pacific)

Honeywell Ltd  
Honeywell Security & Fire  
Unit 5, 24-28 River Rd West  
Parramatta NSW 2250  
Tel: 1300 234 234

### Honeywell Security & Fire (Pacific)

Honeywell Ltd  
9 Columbia Way  
Norwest Business Park  
BAULKHAM HILLS NSW 2153  
Tel: (02) 9899 4155